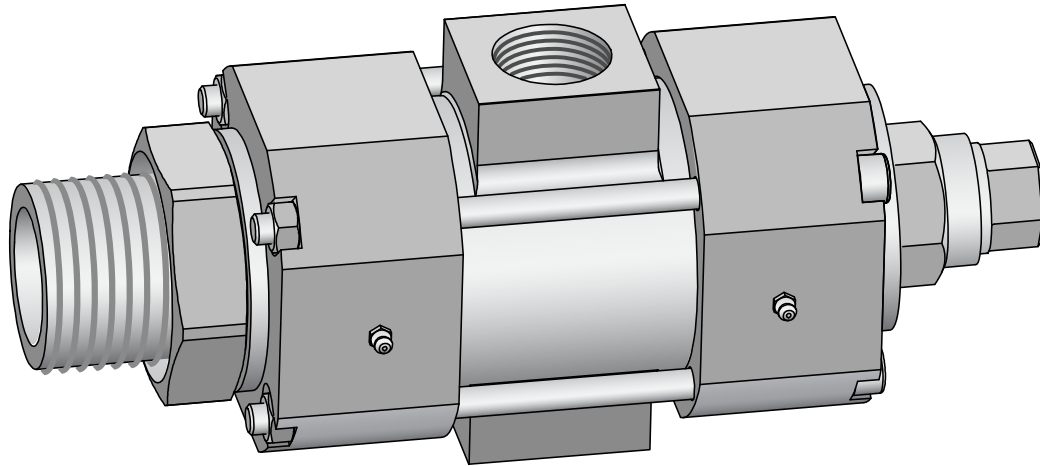


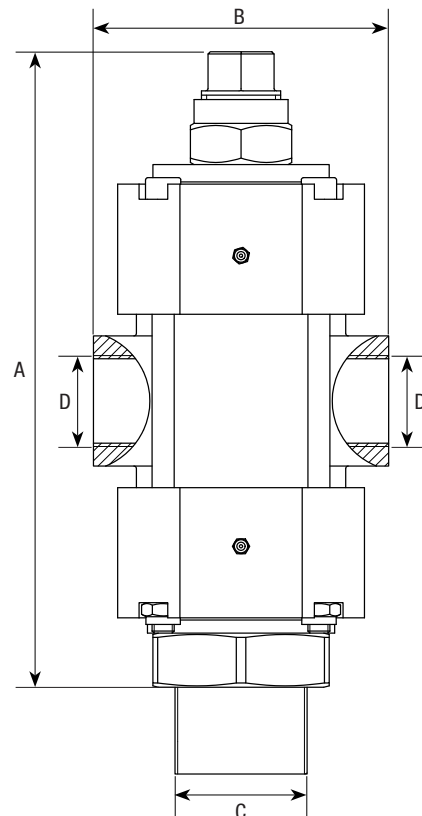
# WATER-POWERED DRILLING

## TECHNICAL SPECIFICATION: WASSARA SWIVEL WS200

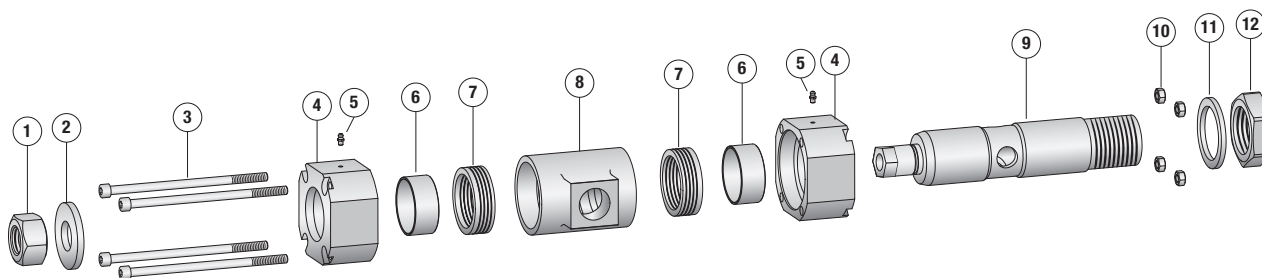


A swivel transfers the high-pressure water from the hose to the drill string. Wassara Swivels are designed and dimensioned to be robust and withstand the high pressure during water-powered drilling.

Technical specifications – Wassara Swivel WS200	
Wassara Part No.	1500326
For hammer	W200
Pressure, maximum	220 bar (3190 psi)
Flow, maximum	1200 l/min (317 USgpm)
Rotation, maximum	130 rpm
Weight	15 kg (33 lbs)
Length A	293 mm (11½")
Length B	134 mm (5")
Thread C	M60x2 LH
Hose connection D (two inlets)	ISO 228-G 1¼"



# PARTS LIST: WASSARA SWIVEL WS200



WS200

Detail	Part no
<b>Wassara Swivel WS200</b>	1500326
Service kit	1002610

Pos	Detail
<b>1</b>	Lock nut M36
<b>2</b>	Washer
<b>3</b>	Screw MC6S 12.9 M10x200 (x4)
<b>4</b>	Lid (x2)
<b>5</b>	Grease nipple (x2)
<b>6</b>	Bearing (x2)
<b>7</b>	Seal (x2), <i>included in Service kit</i>
<b>8</b>	Housing
<b>9</b>	Shaft
<b>10</b>	Lock nut M10 (x4)
<b>11</b>	Washer
<b>12</b>	Nut M60x2 LH