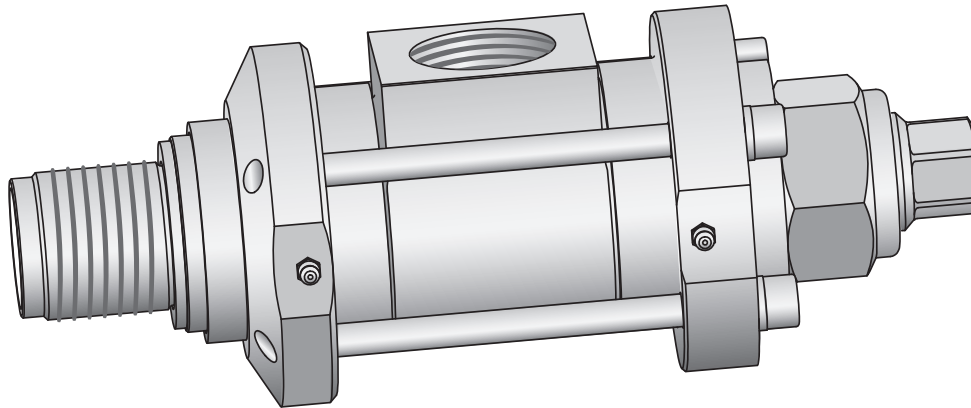


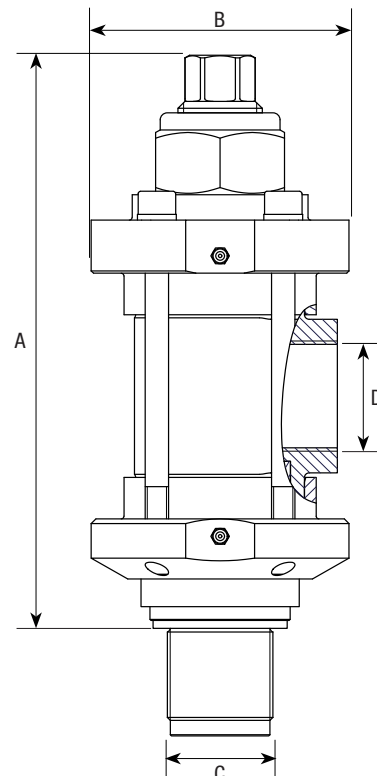
WATER-POWERED DRILLING

TECHNICAL SPECIFICATION: WASSARA SWIVEL WS150

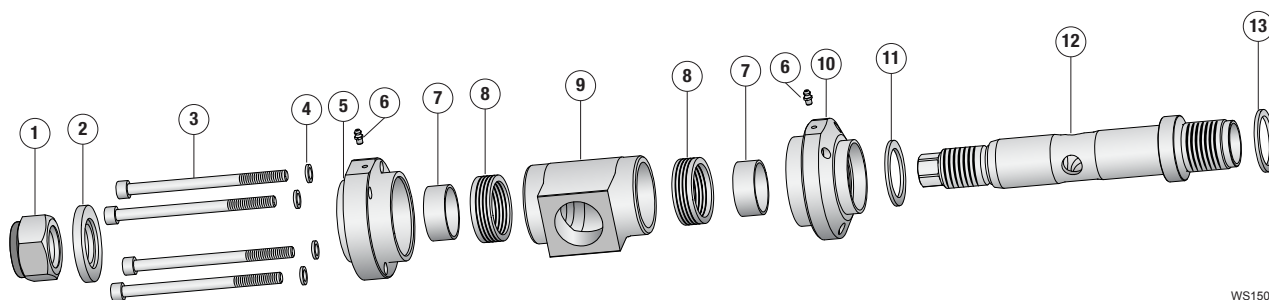


A swivel transfers the high-pressure water from the hose to the drill string. Wassara Swivels are designed and dimensioned to be robust and withstand the high pressure during water-powered drilling.

Technical specifications – Wassara Swivel WS150	
Wassara Part No	1500072
For hammers	W50, W70, W80, W100, W120, W150
Pressure, maximum	250 bar (3625 psi)
Flow, maximum	600 l/min (160 USgpm)
Rotation, maximum	200 rpm
Weight	8 kg (17.6 lbs)
Length A	251 mm (10")
Length B	110 mm (4.3")
Thread C	M45x2 LH
Hose connection D	ISO 228-G 1½"



PARTS LIST: WASSARA SWIVEL WS150



WS150

Detail	Part no
Wassara Swivel WS150	1500072
Service kit	1002171

Pos	Detail
1	Lock nut M36
2	Washer
3	Screw MC6S 12.9 M10x150 (x4)
4	Washer NL10 (x4)
5	Lid
6	Grease nipple (x2)
7	Bearing (x2)
8	Seal (x2), <i>included in Service kit</i>
9	Housing
10	Lid
11	Washer
12	Shaft
13	Washer Tredo M45