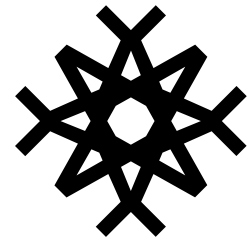
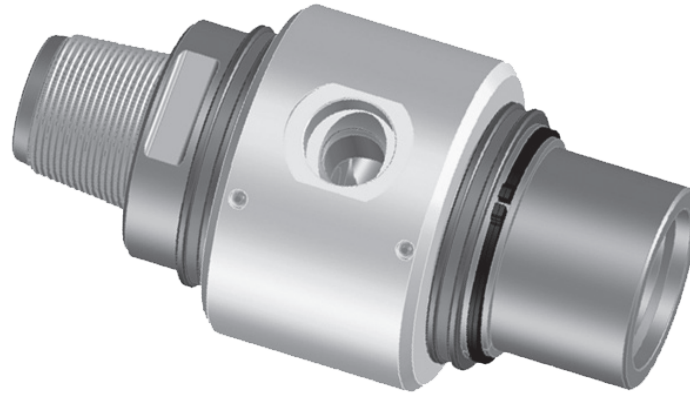


WATER-POWERED DRILLING



wassara

TECHNICAL SPECIFICATION: WASSARA SWIVEL IN-LINE



A swivel transfers the high-pressure water from the hose to the drill string. Wassara Swivels are designed and dimensioned to be robust and withstand the high pressure during water-powered drilling.

Technical specification	WIS50	WIS70	WIS100	WIS150	WIS200
Wassara Part No.	1002404	1002791	1002152	1002153	1002454
For hammer	W50	W70	W80, W100	W120, W150	W200
Pressure, maximum	250 bar (3 625 psi)	250 bar (3 625 psi)	250 bar (3 625 psi)	250 bar (3 625 psi)	250 bar (3 625 psi)
Flow, maximum	1 200 l/min (317 USgpm)	1 200 l/min (317 USgpm)	1 200 l/min (317 USgpm)	1 200 l/min (634 USgpm)	1 200 l/min (634 USgpm)
Rotation, maximum	200 rpm	120 rpm	100 rpm	80 rpm	56 rpm
Weight (approx.)	15 kg (33 lbs)	22 kg (48 lbs)	35 kg (77 lbs)	40 kg (88 lbs)	85 kg (187 lbs)
Length A	319 mm (12.6")	325 mm (12.8")	350 mm (13.8")	405 mm (15.9")	490 mm (19.3")
Diameter B	Ø 139 mm (5.5")	Ø 179 mm (7")	Ø 210 mm (8.3")	Ø 210 mm (8.3")	Ø 287 mm (11.3")
Thread C	NC13	API 2 3/8" Reg	API 2 3/8" Reg	API 3 1/2" Reg	API 4 1/2" IF
Thread D	NC13	WT70	API 2 3/8" Reg	API 3 1/2" Reg	API 4 1/2" IF
Wrench size E	70 mm (2.8")	100 mm (3.9")	130 mm (5.1")	130 mm (5.1")	170 mm (6.7")
Hose connection F	G 1"	G 1 1/2"	G 1 1/2"	G 1 1/2"	G 2"
Distance G	63 mm (2.5")	84 mm (3.3")	99 mm (3.9")	99 mm (3.9")	137.5 mm (5.4")
Service kit Part No.	1002908	1002909	1002910	1002911	1002912

*Torque arms for rotationally locking the flushing rings are available from Wassara
Wrenches are available from Wassara*

