

Quick-mounting Aluminium gantry crane

The well proven disassembling crane for mobile use



Mounted in only 5 minutes by one operator

1. Stick the two aluminium support ends one after the other on both side stands.
2. Move the supports, insert the bolts
3. Put the trolley on top of the support and insert bolts.
4. Hang up the chain block - Finished !

It is used in:

- Industry and building
- Water and wastewater works
- Local city and county companies
- Sanitation and air condition works

Areas of applications:

- Moving and lifting of heavy loads
- Building motors and driving appliances in and out
- Repair and maintenance of pumps
- Loading trucks and trailers on and off
- For use in workshops and companies

Quick-mounting Aluminium gantry crane

Three sizes of side frames

The side frames and trolleys are compatible



Capacity 1500 kg

- | | |
|-----------------|--|
| Mini | Width of lateral stand 1,20 m
Height for hanging the pulley block from 1,18 m to 2,10 m |
| Standard | Width of lateral stand 1,71 m
Height for hanging the pulley block from 1,68 m to 3,00 m |
| Maxi | Width of lateral stand 2,29 m
Height for hanging the pulley block from 2,23 m to 4,00 m |

**We produce the aluminium beam from 2,00 m to 5,00 m for 1.500 kg
and 6 m for 1.000 kg**

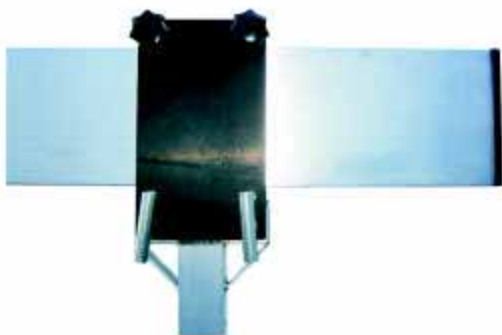
Quick-mounting Aluminium gantry crane

With collapsible lateral stands



Width of lateral stand 85 cm collapsible on every model

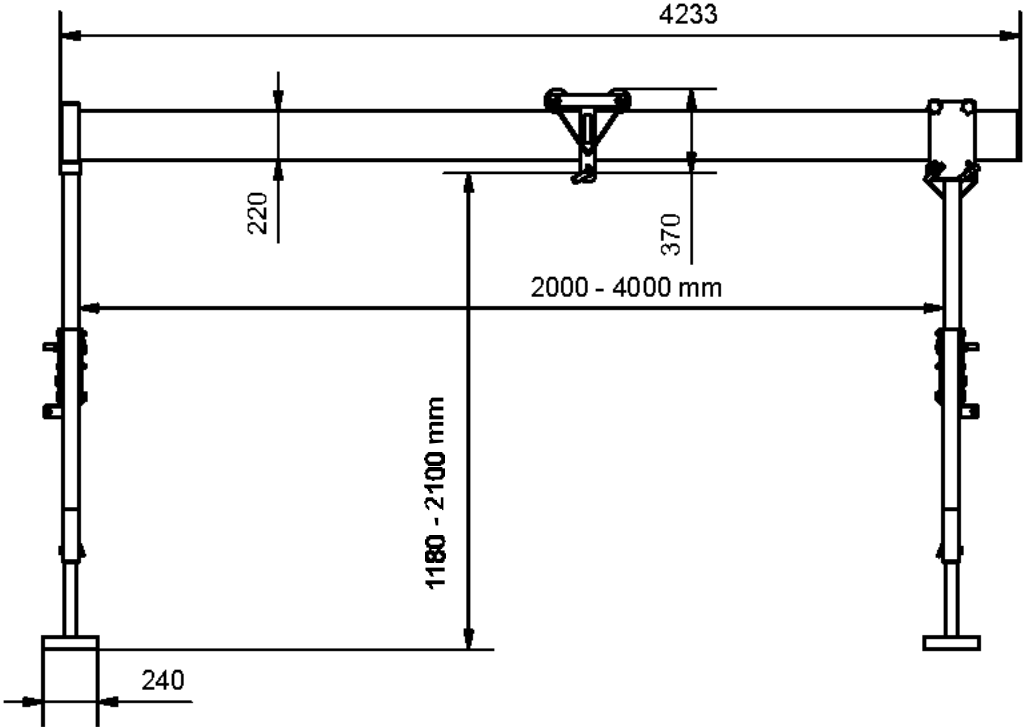
**One lateral stand
with an included horizontal adjuster**



The horizontal adjuster makes it possible to insert a support before the end of the carrier, thus varying the length of the slide way. This is sometimes unavoidable in case of restricted space. One of the lateral stands becomes movable.



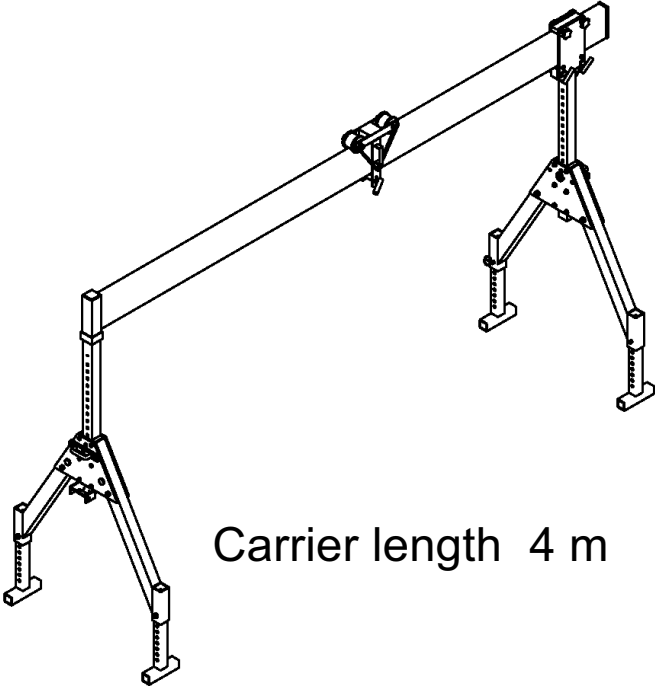
Model Mini



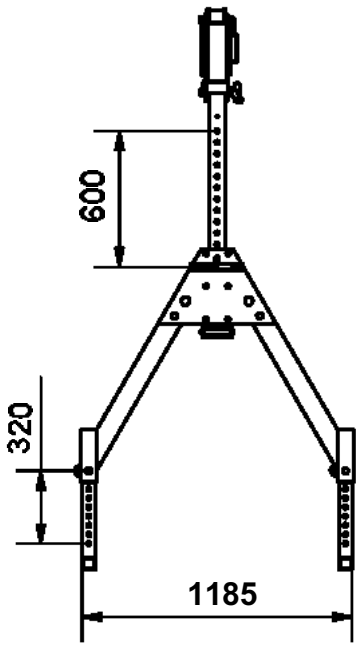
Width of lateral stand 1185 mm

Height for hanging the pulley block from 1180 to 2100 mm

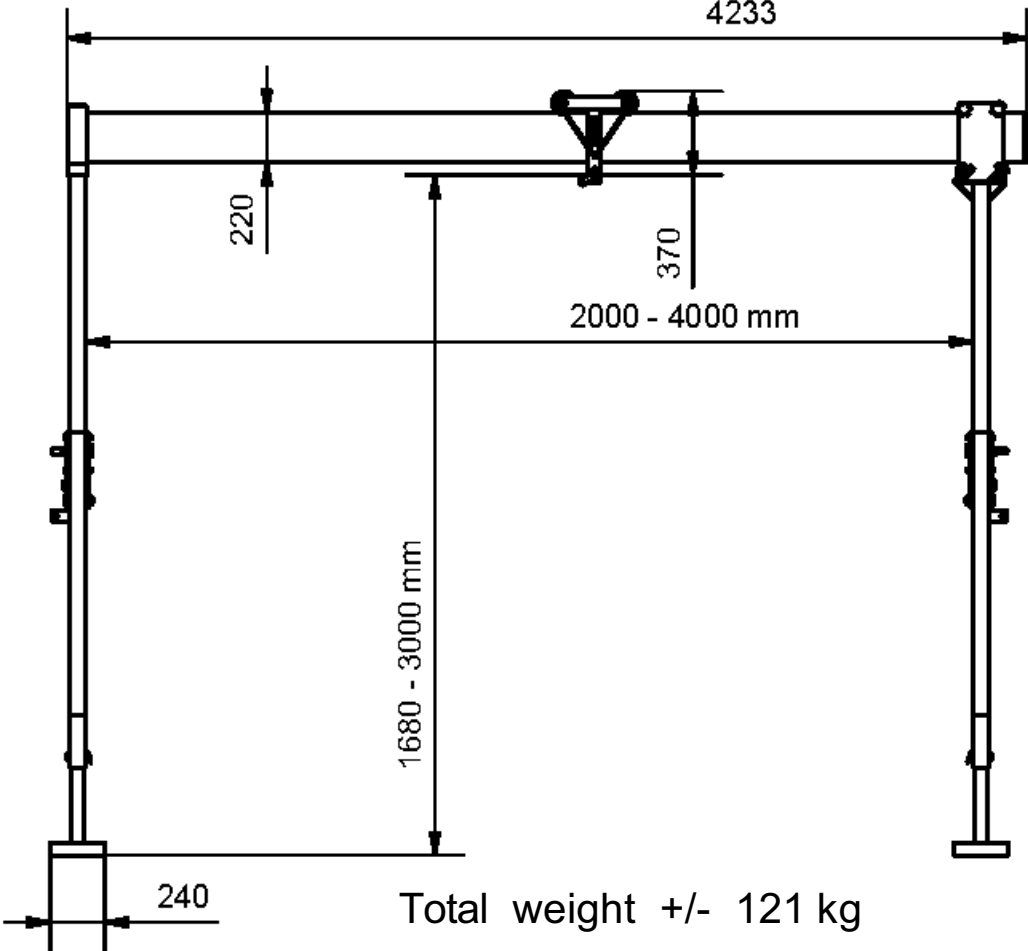
Total weight +/- 113 kg



Carrier length 4 m

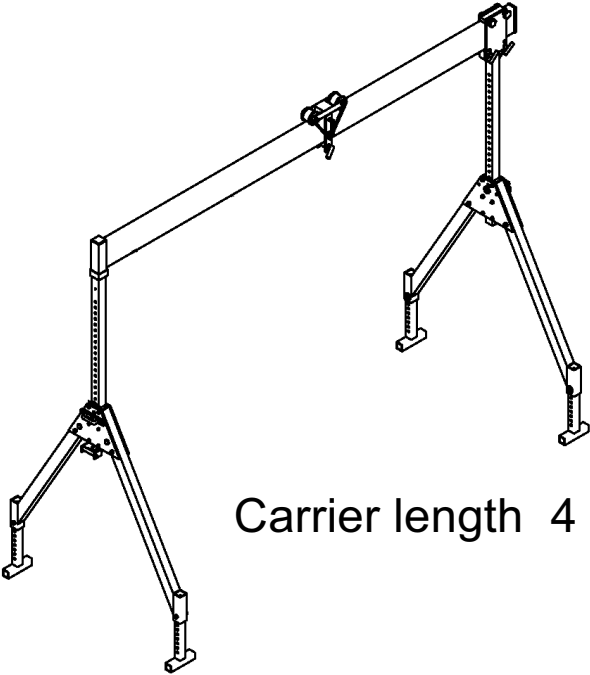


Model Standard

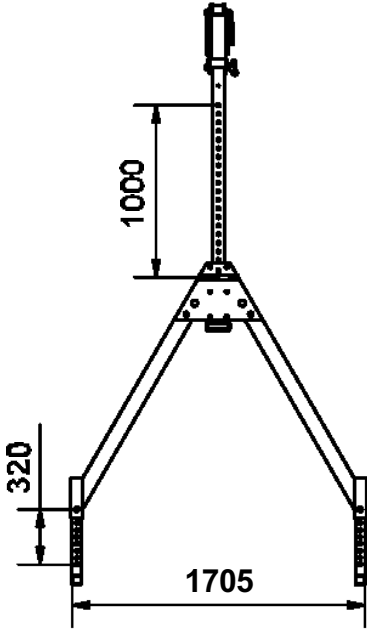


Width of lateral stand 1705 mm

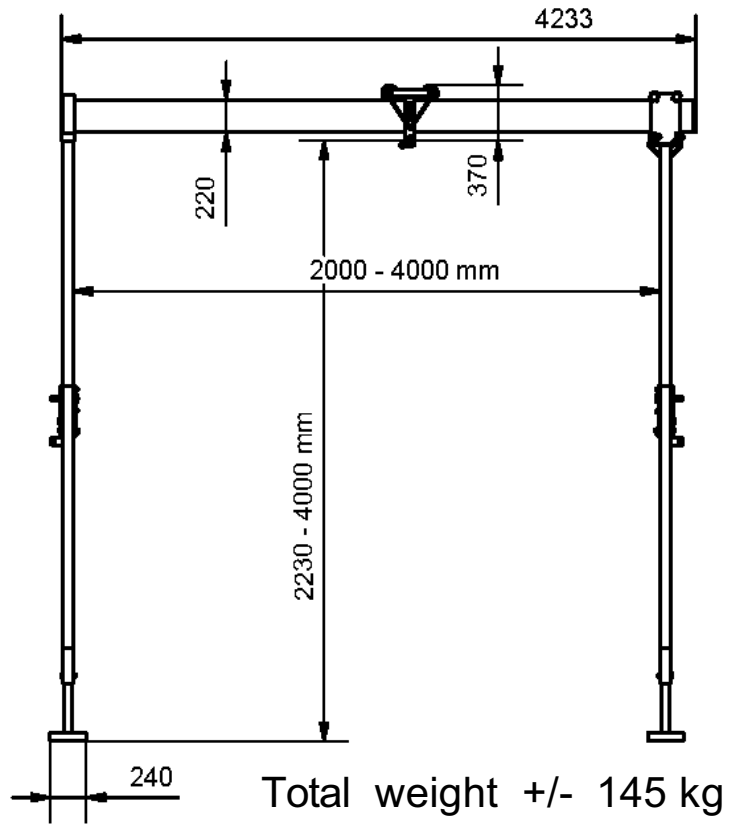
Height for hanging the pulley block from 1680 to 3000 mm



Carrier length 4 m

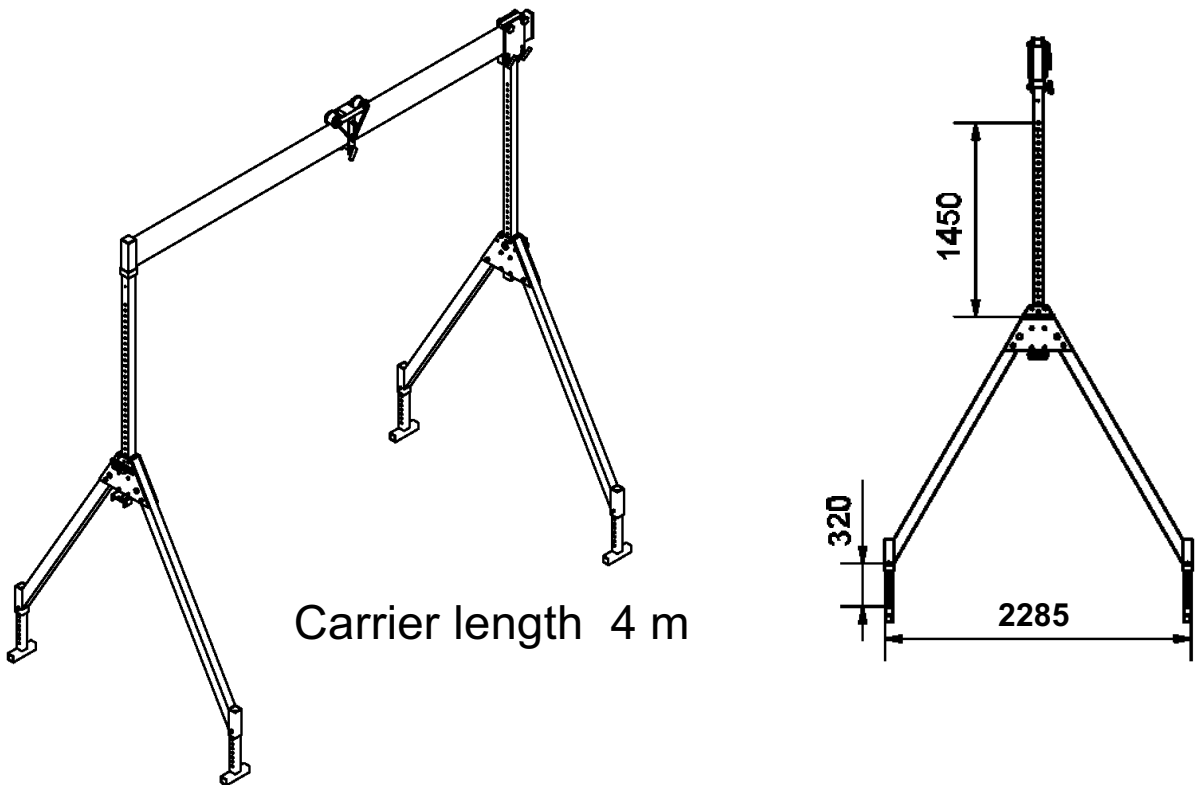


Model Maxi



Width of lateral stand 2285 mm

Height for hanging the pulley block from 2230 to 4000 mm



Quick mounting Aluminium Gantry crane

The side frames are non-collapsible

Model Static

Typ *Static* Standard

Internal width: 4,00 m

Total weight 100 kg

Width of lateral stand 1,65 m

Height of lateral stand 2,00 m

Height for hanging the pulley block from 1,80 m to 3,00 m



Price without pulley block

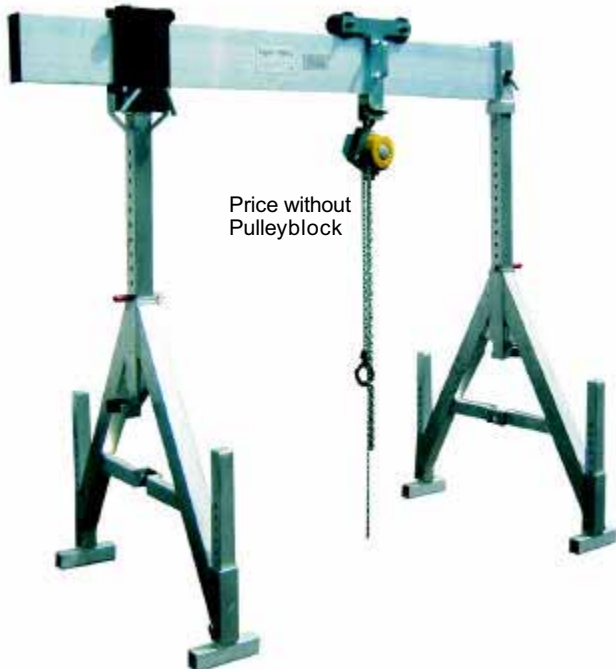
One lateral stand with an included horizontal adjuster

Capacity: 1500 kg

Type *Static* MINI

Internal width: 4,00 m

Total weight 80 kg



Price without Pulleyblock

Width of lateral stand 1,12 m

Height of lateral stand 1,55 m

Height for hanging the pulley block from 1,00 m to 2,10 m

We produce the aluminium beam from 2,00 m - 6,00 m

Please inquire!

Aluminium Gantry Crane

Movable under load

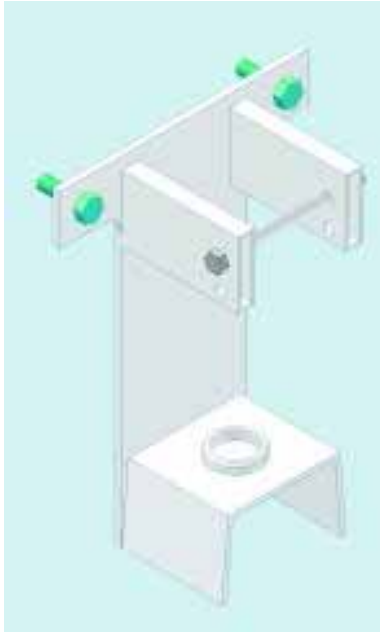
with an included horizontal adjuster



Technical Data:

Carrying capacity:	1.000 kg
Carrier length:	4,23 m
Internal width:	4,00 m
Width of lateral stand:	1,53 m
Height for hanging the pulley block:	from 1,88 m to 2,83 m
Total weight:	ca. 120 kg

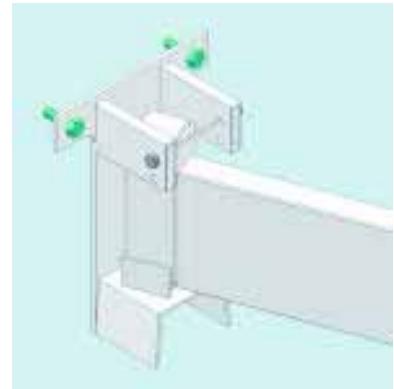
Wall bracket



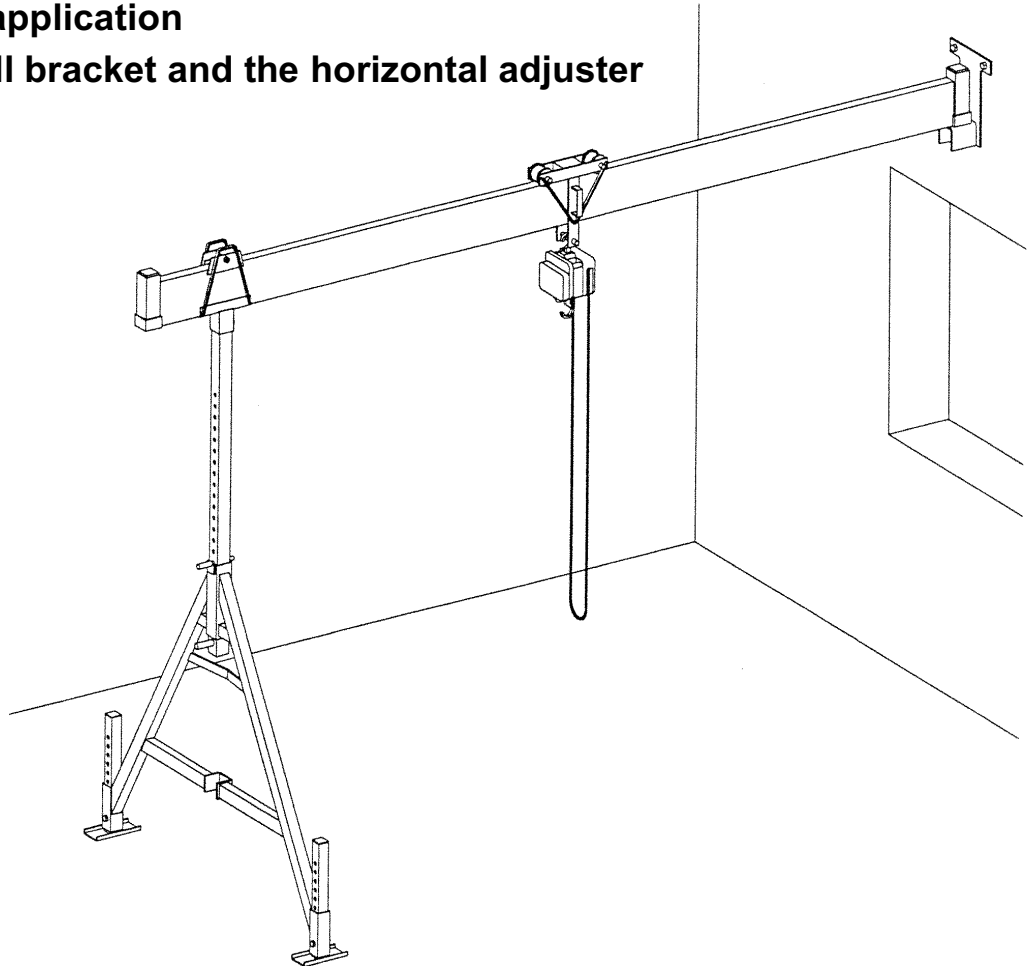
The wall bracket makes it possible to attach one side of the carrier to the wall.

The crane's range of application is thus extended especially via doors or windows.

With the new model the carrier can be swivelled on the wall bracket.

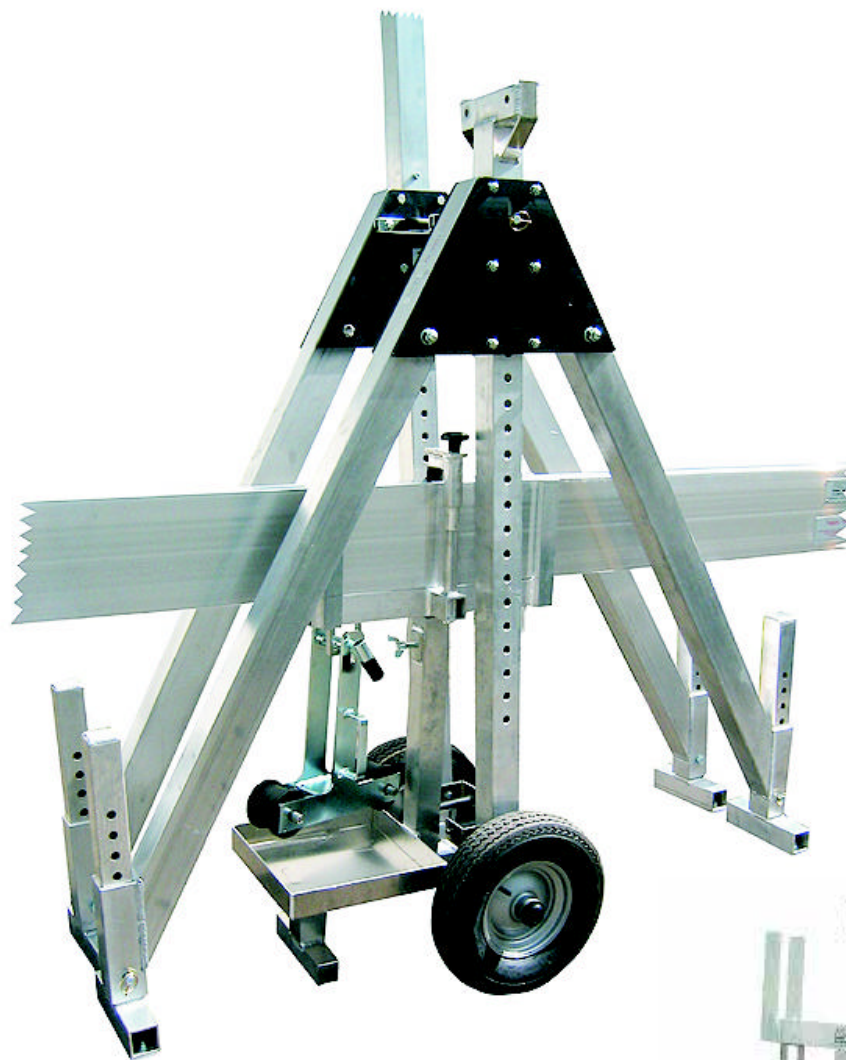


Range of application for the wall bracket and the horizontal adjuster



Transport carriage for quick-mounting Aluminium gantry crane

If the erection site cannot be reached directly by car or any vehicle, the easy handling of the transport carriage makes it possible to transport the gantry crane conveniently over some distance.



Transport carriage for 1500 kg
Beam profile 220 x 57 mm

Weight 27 kg



Under carriage

for Quick-mounting aluminium gantry crane
for a carrying capacity 1500 kg



Makes it possible to move the mounted, unloaded gantry crane.
The spring mounted guide rolls are pressed in for greater loads.
The lateral stands then rest directly on the supports.

The ground should be firm



PULLEY BLOCK

Made out of powder finished steel sheet metal
with galvanized load- and carry chain

The load is secured by a non-sliding coupling



Carrying capacity 1.500 kg

Carrying chain 3 m

Carrying strand 1

Height 43 cm

Additional price per
hoisting meter 32,-- EUR

Weight 14 kg

Carrying capacity 1.500 kg

Carrying chain 6 m

Carrying strand 1

Height 43 cm

Additional price per
hoisting meter 32,-- EUR

Weight 21 kg

German origin certificate

Inquire for offers for electric chain pulleys